

Specification for Defender
 RiserGuard Door
 Concealed Frame
 Fire Rated FD120S
 Insulated Core
 44dB Acoustic Rating
 5 point Euro Profile Lock
 Quick Release Pivot Hinge Manufactured from Zintec Steel
 Certifire Approved
 Handing: Right Hand Hung

Single Door Sizes
 At a Max Height of 2488 Width = 1066mm
 At a Max Height of 2866 Width = 925mm

Alternative Specifications Available
 Picture Frame
 Acoustic Upgrade to 47db
 Manufactured from Stainless Steel
 Any Ral Paint Colour
 Primed for onsite painting
 Double / Triple / Quadruple Door Solutions
 Handing: Left Hand Hung
 Fire Signage

Panel size normally measured to outside faces of frame (e.g. A mm x B mm)
 Recommended Prepared opening 5 to 10mm greater than panel size (e.g. A+10 mm x B+10 mm)
 Beaded frame panel finish primed powder coat white, Picture frame panel finish RAL 9010 gloss white.

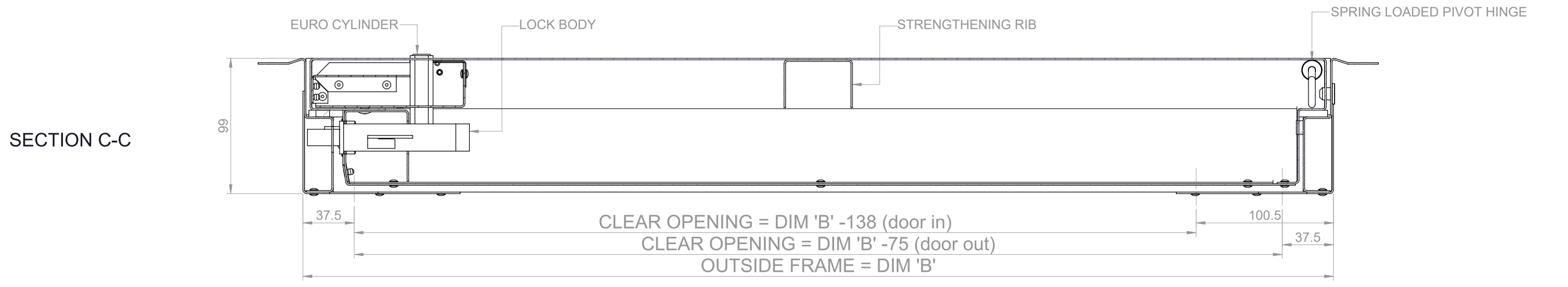
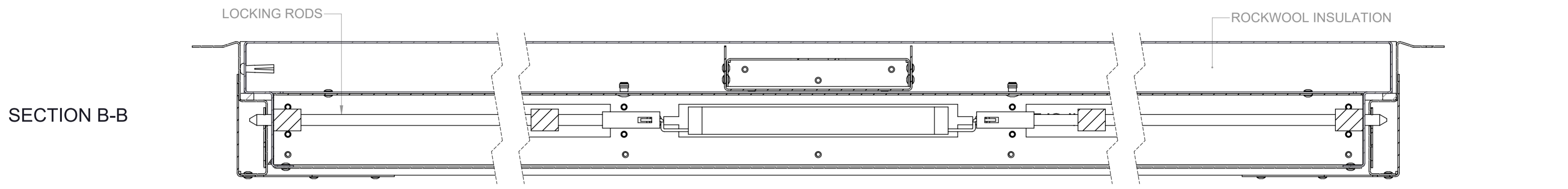
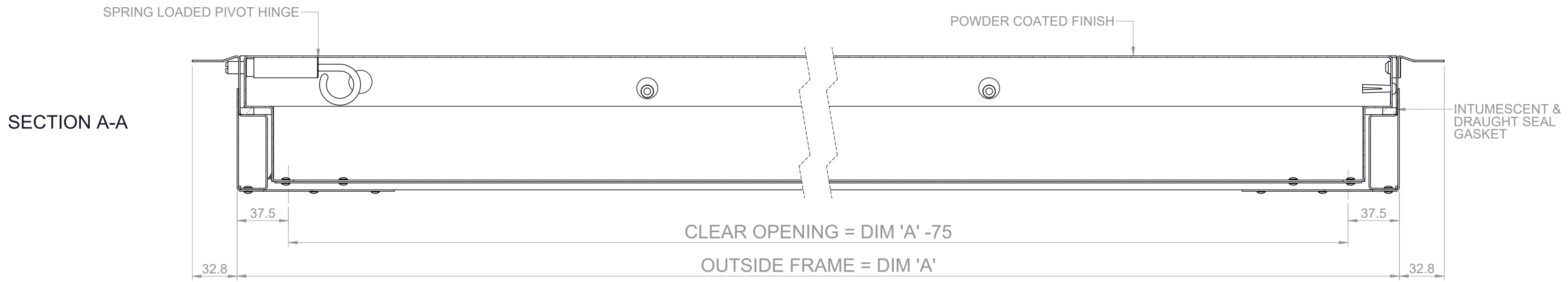
Designs are subject to change and is the responsibility of the client to check with the manufacturer before preparing openings.
 Requests for the raw file of this drawing may be granted, however extra information not shown on release format (PDF) obtained from raw file that is not checked with the manufacturer will not be accepted as information released for customer use by the manufacturer.



Britannia House, John Boyle Road, Middlesbrough, TS6 6TY
 T: 01642 337119 | E: security@metador.com | www.metador.com

Title :
Defender RiserGuard Door (SINGLE DOOR)
 Plan & Isometric views

Scale: 1:5	Date: 02:03:21	Drawn: TM	Dwg No.: 78762-1	Sheet 1 of 2	Rev: A
---------------	-------------------	--------------	---------------------	-----------------	-----------



Panel size normally measured to outside faces of frame (e.g. A mm x B mm)
 Recommended Prepared opening 5 to 10mm greater than panel size (e.g. A+10 mm x B+10 mm)
 Beaded frame panel finish primed powder coat white, Picture frame panel finish RAL 9010 gloss white.

Designs are subject to change and is the responsibility of the client to check with the manufacturer before preparing openings.
 Requests for the raw file of this drawing may be granted, however extra information not shown on release format (PDF) obtained from raw file that is not checked with the manufacturer will not be accepted as information released for customer use by the manufacturer.



Metador

Britannia House, John Boyle Road, Middlesbrough, TS6 6TY

T: 01642 337119 | E: security@metador.com | www.metador.com

Title : **Defender RiserGuard (SINGLE DOOR)**
 Cross Section views

Scale:	Date:	Drawn:	Dwg No.:	Sheet	Rev:
1:2	02:03:21	TM	78762-1	2 of 2	A